

2014

Rotary Broach Tools



Contents

Rotary Broach Tool Holder..... 2

Broach Holder Features: 2

Hexagon Rotary Broaches..... 3

 8mm Shank Diameter 3

1.25" Overall Length..... 3

28mm Overall Length..... 4

 1/2" Shank Diameter..... 5

1.75" Overall Length - Standard..... 5

1.75" Overall Length - Metric..... 6

Square Rotary Broaches..... 7

 8mm Shank Diameter 7

1.25" Overall Length..... 7

28mm Overall Length..... 8

 1/2" Shank Diameter..... 9

1.75" Overall Length - Standard..... 9

1.75" Overall Length - Metric..... 10

Hexalobular Torx® Style Rotary Broaches..... 11

 8mm Shank Diameter 11

1.25" Overall Length..... 11

28mm Overall Length..... 11

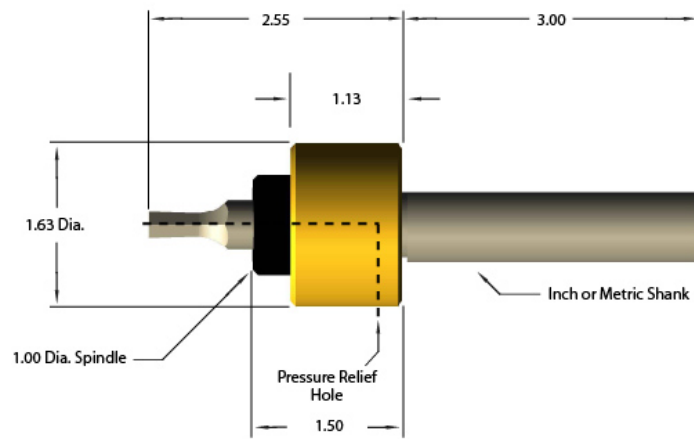
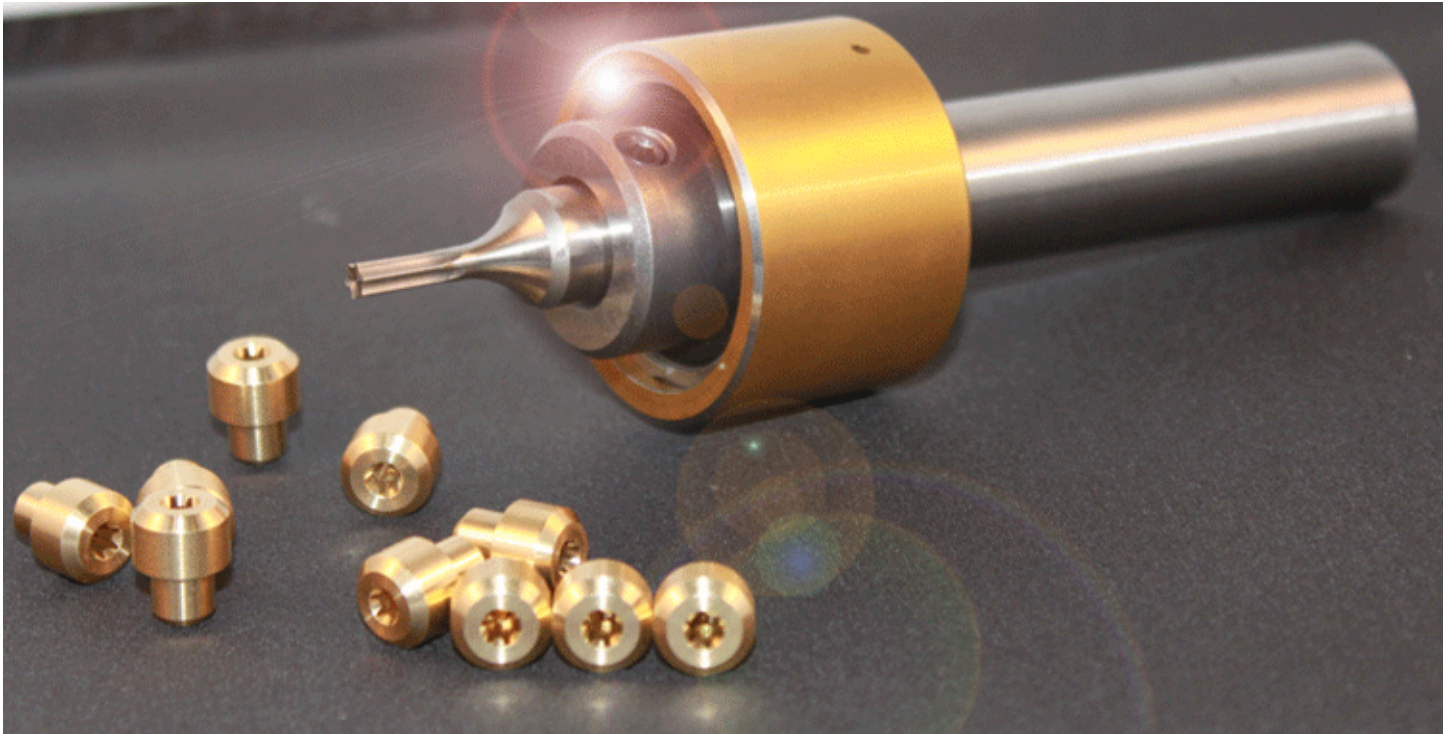
 1/2" Shank Diameter..... 11

1.75" Overall Length..... 11

Forms That Can Be Rotary Broached 12



Rotary Broach Tool Holder



Broach Holder Features:

- Sealed Bearings Require *No Routine Maintenance*
- Adjustment Free Design Minimizes Set-Up Time
- Pressure Relief Hole Allows Fluid and Air to Escape
- High Quality **FAG Bearings** for Greater Thrust Capacity
- Available with Inch and Metric Shank Sizes

For Use with 8mm Shank Rotary Broach Tools

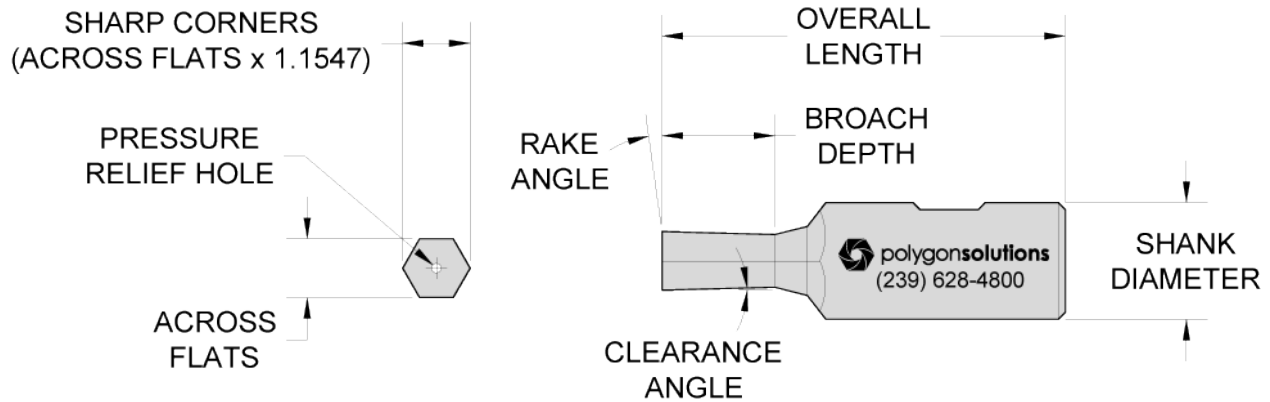
Shank Size	Part #	Price
5/8" Shank	GT-063-A	\$749.00
3/4" Shank	GT-075-A	\$749.00
1" Shank	GT-100-A	\$749.00
1 1/4" Shank	GT-125-A	\$749.00
1 1/2" Shank	GT-150-A	\$749.00
Metric Shanks (mm)		
16mm Shank	GT-016-A	\$749.00
20mm Shank	GT-020-A	\$749.00
22mm Shank	GT-022-A	\$749.00
25mm Shank	GT-025-A	\$749.00
32mm Shank	GT-032-A	\$749.00

For Use with 1/2" Shank Rotary Broach Tools

Shank Size	Part #	Price
5/8" Shank	GT-063-B	\$749.00
3/4" Shank	GT-075-B	\$749.00
1" Shank	GT-100-B	\$749.00
1 1/4" Shank	GT-125-B	\$749.00
1 1/2" Shank	GT-150-B	\$749.00
Metric Shanks (mm)		
16mm Shank	GT-016-B	\$749.00
20mm Shank	GT-020-B	\$749.00
22mm Shank	GT-022-B	\$749.00
25mm Shank	GT-025-B	\$749.00
32mm Shank	GT-032-B	\$749.00



Hexagon Rotary Broaches



8mm Shank Diameter

1.25" Overall Length					
Nominal Size	Hexagon	Part #	Across Flats	Broaching Depth	Price
.050"	Hexagon	H00510A	.0510	.102	\$49.00
1/16"	Hexagon	H00635A	.0635	.127	\$49.00
5/64"	Hexagon	H00790A	.0790	.158	\$49.00
3/32"	Hexagon	H00950A	.0950	.190	\$49.00
7/64"	Hexagon	H01110A	.1110	.222	\$49.00
1/8"	Hexagon	H01265A	.1265	.253	\$49.00
9/64"	Hexagon	H01425A	.1425	.285	\$49.00
5/32"	Hexagon	H01585A	.1582	.317	\$49.00
11/64"	Hexagon	H01740A	.1740	.348	\$49.00
3/16"	Hexagon	H01895A	.1895	.379	\$49.00
7/32"	Hexagon	H02215A	.2215	.443	\$49.00
1/4"	Hexagon	H02525A	.2525	.505	\$49.00
9/32"	Hexagon	H02840A	.2840	.568	\$66.00
5/16"	Hexagon	H03155A	.3155	.631	\$66.00
11/32"	Hexagon	H03470A	.3470	.650	\$66.00
3/8"	Hexagon	H03785A	.3785	.650	\$66.00
13/32"	Hexagon	H04100A	.4100	.650	\$75.00
Metric					
1.3mm	Hexagon	H00515A	.0515	.103	\$49.00
1.5mm	Hexagon	H00610A	.0610	.122	\$49.00
2.0mm	Hexagon	H00810A	.0810	.162	\$49.00
2.5mm	Hexagon	H01010A	.1010	.202	\$49.00
3.0mm	Hexagon	H01210A	.1210	.242	\$49.00
4.0mm	Hexagon	H01610A	.1610	.322	\$49.00
5.0mm	Hexagon	H02000A	.2000	.400	\$49.00
6.0mm	Hexagon	H02400A	.2400	.480	\$49.00
7.0mm	Hexagon	H02790A	.2790	.558	\$66.00
8.0mm	Hexagon	H03185A	.3185	.637	\$66.00
9.0mm	Hexagon	H03580A	.3580	.650	\$66.00
10 mm	Hexagon	H03985A	.3985	.650	\$75.00
11 mm	Hexagon	H04370A	.4370	.650	\$75.00
12 mm	Hexagon	H04775A	.4775	.650	\$75.00

All Standard Rotary Broaches are made from M-2 High Speed Steel.

Broaches can also be made from PM M-4, M-42 or PM T-15 High Speed Steel.

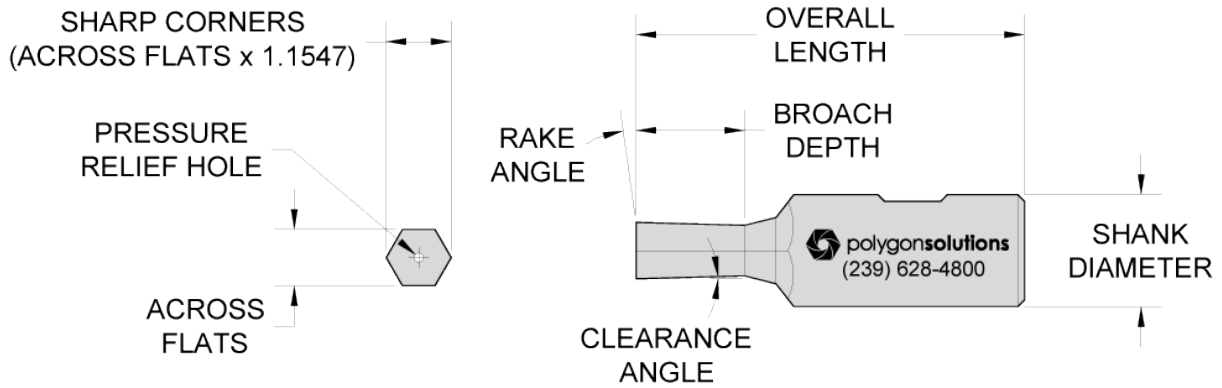
We offer TiN, TiAN and TiCN and Punch Coatings.



* All Broaches with Across Flats larger than .075" include a pressure relief vent hole *



Hexagon Rotary Broaches



8mm Shank Diameter

28mm Overall Length					
Nominal Size	Hexagon	Part #	Across Flats	Broaching Depth	Price
.050"	Hexagon	H00510C	.0510	.102	\$49.00
1/16"	Hexagon	H00635C	.0635	.127	\$49.00
5/64"	Hexagon	H00790C	.0790	.158	\$49.00
3/32"	Hexagon	H00950C	.0950	.190	\$49.00
7/64"	Hexagon	H01110C	.1110	.222	\$49.00
1/8"	Hexagon	H01265C	.1265	.253	\$49.00
9/64"	Hexagon	H01425C	.1425	.285	\$49.00
5/32"	Hexagon	H01585C	.1585	.317	\$49.00
11/64"	Hexagon	H01740C	.1740	.348	\$49.00
3/16"	Hexagon	H01895C	.1895	.379	\$49.00
7/32"	Hexagon	H02215C	.2215	.443	\$49.00
1/4"	Hexagon	H02525C	.2525	.505	\$49.00
Metric					
1.3mm	Hexagon	H00515C	.0515	.103	\$49.00
1.5mm	Hexagon	H00610C	.0610	.122	\$49.00
2.0mm	Hexagon	H00810C	.0810	.162	\$49.00
2.5mm	Hexagon	H01010C	.1010	.202	\$49.00
3.0mm	Hexagon	H01210C	.1210	.242	\$49.00
4.0mm	Hexagon	H01610C	.1610	.322	\$49.00
5.0mm	Hexagon	H02000C	.2000	.400	\$49.00
6.0mm	Hexagon	H02400C	.2400	.480	\$49.00

All Standard Rotary Broaches are made from M-2 High Speed Steel.

Broaches can also be made from PM M-4, M-42 or PM T-15 High Speed Steel.

We offer TiN, TiAN and TiCN and Punch Coatings.

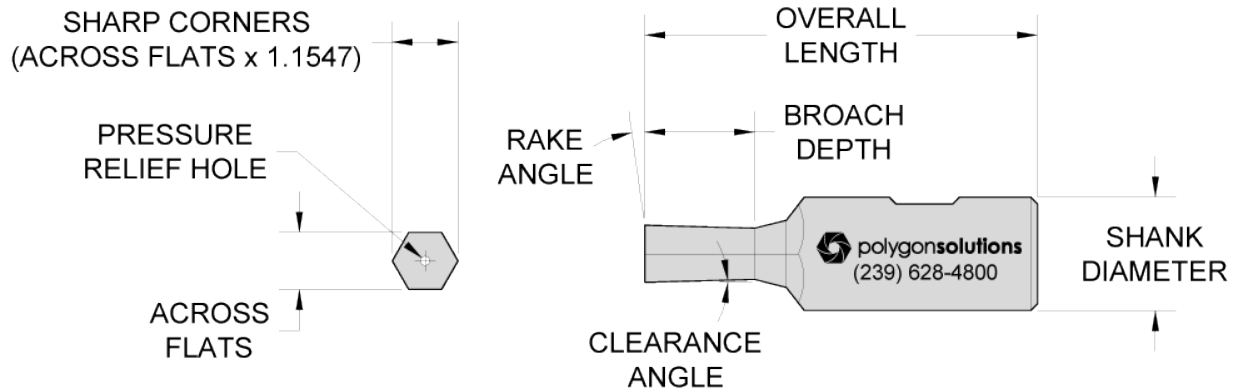


TiAlN TiCN TiN Punch

* All Broaches with Across Flats larger than .075" include a pressure relief vent hole *



Hexagon Rotary Broaches



1/2" Shank Diameter

1.75" Overall Length - Standard					
Nominal Size	Hexagon	Part #	Across Flats	Broaching Depth	Price
3/32"	Hexagon	H00950B	.0950	.190	\$56.00
7/64"	Hexagon	H01110B	.1110	.222	\$56.00
1/8"	Hexagon	H01265B	.1265	.253	\$56.00
9/64"	Hexagon	H01425B	.1425	.285	\$56.00
5/32"	Hexagon	H01585B	.1585	.317	\$56.00
3/16"	Hexagon	H01895B	.1895	.379	\$56.00
7/32"	Hexagon	H02215B	.2215	.443	\$56.00
1/4"	Hexagon	H02525B	.2525	.505	\$56.00
9/32"	Hexagon	H02840B	.2840	.568	\$56.00
5/16"	Hexagon	H03155B	.3155	.631	\$56.00
11/32"	Hexagon	H03470B	.3470	.650	\$56.00
3/8"	Hexagon	H03785B	.3785	.650	\$56.00
13/32"	Hexagon	H04100B	.4100	.650	\$56.00
7/16"	Hexagon	H04415B	.4415	.883	\$71.00
15/32"	Hexagon	H04730B	.4730	.946	\$71.00
1/2"	Hexagon	H05045B	.5045	1.010	\$71.00
17/32"	Hexagon	H05360B	.5360	1.010	\$71.00
9/16"	Hexagon	H05675B	.5675	1.010	\$71.00
19/32"	Hexagon	H05990B	.5990	1.010	\$71.00
5/8"	Hexagon	H06305B	.6305	1.010	\$71.00
21/32"	Hexagon	H06620B	.6620	1.010	\$71.00
11/16"	Hexagon	H06935B	.6935	1.010	\$96.00
23/32"	Hexagon	H07250B	.7250	1.010	\$96.00
3/4"	Hexagon	H07565B	.7565	1.010	\$96.00

All Standard Rotary Broaches are made from M-2 High Speed Steel.

Broaches can also be made from PM M-4, M-42 or PM T-15 High Speed Steel.

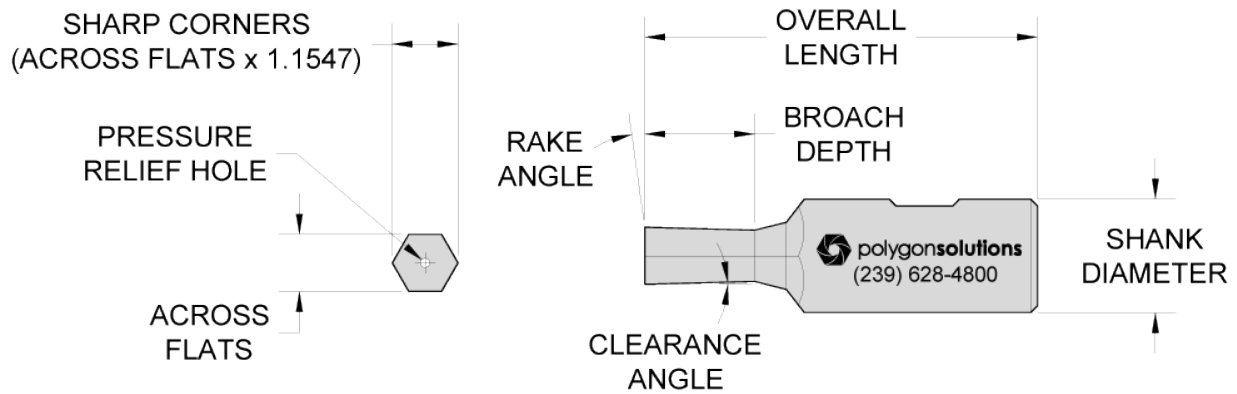
We offer TiN, TiAlN and TiCN and Punch Coatings.



* All Broaches with Across Flats larger than .075" include a pressure relief vent hole *



Hexagon Rotary Broaches



1/2" Shank Diameter

1.75" Overall Length - Metric					
Nominal Size		Part #	Across Flats	Broaching Depth	Price
2.0mm	Hexagon	H00810B	.0810	.162	\$56.00
2.5mm	Hexagon	H01010B	.1010	.202	\$56.00
3.0mm	Hexagon	H01210B	.1210	.242	\$56.00
4.0mm	Hexagon	H01610B	.1610	.322	\$56.00
5.0mm	Hexagon	H02000B	.2000	.400	\$56.00
6.0mm	Hexagon	H02400B	.2400	.480	\$56.00
7.0mm	Hexagon	H02790B	.2790	.558	\$56.00
8.0mm	Hexagon	H03185B	.3185	.637	\$56.00
9.0mm	Hexagon	H03580B	.3580	.650	\$56.00
10 mm	Hexagon	H03985B	.3985	.650	\$56.00
11 mm	Hexagon	H04370B	.4370	.650	\$71.00
12 mm	Hexagon	H04775B	.4775	.650	\$71.00
13 mm	Hexagon	H05170B	.5170	1.010	\$71.00
14 mm	Hexagon	H05565B	.5565	1.010	\$71.00
15 mm	Hexagon	H05965B	.5965	1.010	\$71.00
16 mm	Hexagon	H06355B	.6355	1.010	\$71.00
17 mm	Hexagon	H06750B	.6750	1.010	\$71.00
18 mm	Hexagon	H07150B	.7150	1.010	\$96.00
19 mm	Hexagon	H07545B	.7545	1.010	\$96.00

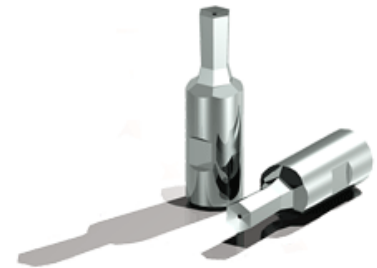
All Standard Rotary Broaches are made from M-2 High Speed Steel.

Broaches can also be made from PM M-4, M-42 or PM T-15 High Speed Steel.

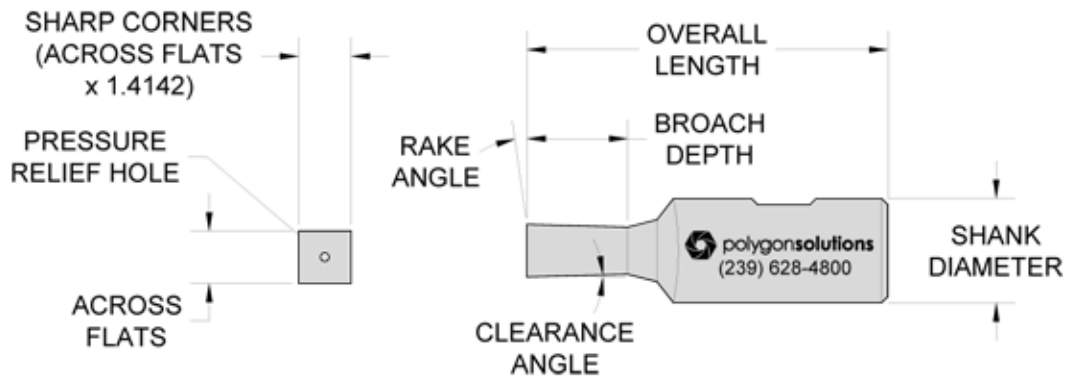
We offer TiN, TiAN and TiCN and Punch Coatings.



* All Broaches with Across Flats larger than .075" include a pressure relief vent hole *



Square Rotary Broaches



8mm Shank Diameter

1.25" Overall Length				
Nominal Size	Part #	Across Flats	Broaching Depth	Price
1/16" Square	S00635A	.0635	.127	\$49.00
5/64" Square	S00790A	.0790	.158	\$49.00
3/32" Square	S00950A	.0950	.190	\$49.00
7/64" Square	S01110A	.1110	.222	\$49.00
1/8" Square	S01265A	.1265	.253	\$49.00
9/64" Square	S01425A	.1425	.285	\$49.00
5/32" Square	S01585A	.1585	.317	\$49.00
11/64" Square	S01740A	.1740	.348	\$49.00
3/16" Square	S01895A	.1895	.379	\$49.00
7/32" Square	S02215A	.2215	.443	\$49.00
1/4" Square	S02525A	.2525	.505	\$66.00
9/32" Square	S02840A	.2840	.568	\$66.00
5/16" Square	S03155A	.3155	.631	\$66.00
11/32" Square	S03470A	.3470	.650	\$74.00
3/8" Square	S03785A	.3785	.650	\$74.00
13/32" Square	S04100A	.4100	.650	\$74.00
Metric				
1.3mm Square	S00515A	.0515	.103	\$49.00
1.5mm Square	S00610A	.0610	.122	\$49.00
2.0mm Square	S00810A	.0810	.162	\$49.00
2.5mm Square	S01010A	.1010	.202	\$49.00
3.0mm Square	S01210A	.1210	.242	\$49.00
4.0mm Square	S01610A	.1610	.322	\$49.00
5.0mm Square	S02000A	.2000	.400	\$49.00
6.0mm Square	S02400A	.2400	.480	\$66.00
7.0mm Square	S02790A	.2790	.558	\$66.00
8.0mm Square	S03185A	.3185	.637	\$66.00
9.0mm Square	S03580A	.3580	.650	\$74.00
10 mm Square	S03985A	.3985	.650	\$74.00
11 mm Square	S04370A	.4370	.650	\$74.00
12 mm Square	S04775A	.4775	.650	\$74.00

All Standard Rotary Broaches are made from M-2 High Speed Steel.

Broaches can also be made from PM M-4, M-42 or PM T-15 High Speed Steel.

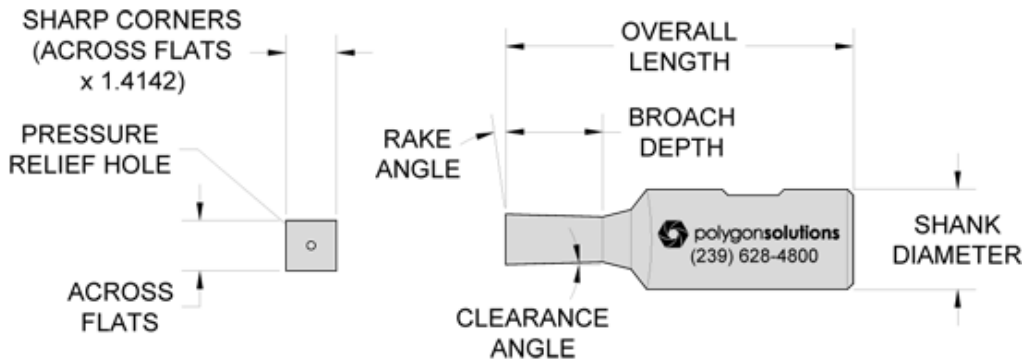
We offer TiN, TiAN and TiCN and Punch Coatings.



* All Broaches with Across Flats larger than .075" include a pressure relief vent hole *



Square Rotary Broaches



8mm Shank Diameter

28mm Overall Length					
Nominal Size		Part #	Across Flats	Broaching Depth	Price
1/16"	Square	S00635C	.0635	.127	\$49.00
5/64"	Square	S00790C	.0790	.158	\$49.00
3/32"	Square	S00950C	.0950	.190	\$49.00
7/64"	Square	S01110C	.1110	.222	\$49.00
1/8"	Square	S01265C	.1265	.253	\$49.00
9/64"	Square	S01425C	.1425	.285	\$49.00
5/32"	Square	S01585C	.1585	.317	\$49.00
11/64"	Square	S01740C	.1740	.348	\$49.00
3/16"	Square	S01895C	.1895	.379	\$49.00
7/32"	Square	S02215C	.2215	.443	\$49.00
1/4"	Square	S02525C	.2525	.505	\$49.00
Metric					
1.3mm	Square	S00515C	.0515	.103	\$49.00
1.5mm	Square	S00610C	.0610	.122	\$49.00
2.0mm	Square	S00810C	.0810	.162	\$49.00
2.5mm	Square	S01010C	.1010	.202	\$49.00
3.0mm	Square	S01210C	.1210	.242	\$49.00
4.0mm	Square	S01610C	.1610	.322	\$49.00
5.0mm	Square	S02000C	.2000	.400	\$49.00
6.0mm	Square	S02400C	.2400	.480	\$49.00

All Standard Rotary Broaches are made from M-2 High Speed Steel.

Broaches can also be made from PM M-4, M-42 or PM T-15 High Speed Steel.

We offer TiN, TiAN and TiCN and Punch Coatings.

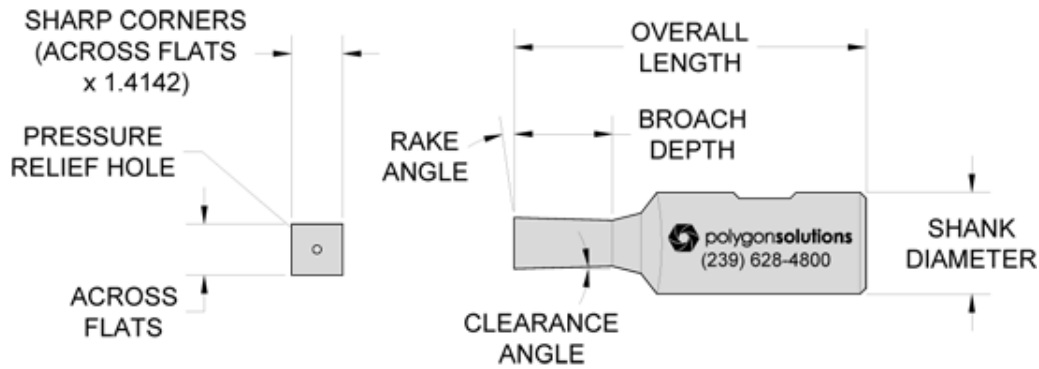


TiAlN TiCN TiN Punch

* All Broaches with Across Flats larger than .075" include a pressure relief vent hole *



Square Rotary Broaches



1/2" Shank Diameter

1.75" Overall Length - Standard					
Nominal Size		Part #	Across Flats	Broaching Depth	Price
3/32"	Square	S00950B	.0950	.190	\$56.00
7/64"	Square	S01110B	.1110	.222	\$56.00
1/8"	Square	S01265B	.1265	.253	\$56.00
9/64"	Square	S01425B	.1425	.285	\$56.00
5/32"	Square	S01585B	.1585	.317	\$56.00
11/64"	Square	S01740B	.1740	.348	\$56.00
3/16"	Square	S01895B	.1895	.379	\$56.00
7/32"	Square	S02215B	.2215	.443	\$56.00
1/4"	Square	S02525B	.2525	.505	\$56.00
9/32"	Square	S02840B	.2840	.568	\$56.00
5/16"	Square	S03155B	.3155	.631	\$56.00
11/32"	Square	S03470B	.3470	.650	\$56.00
3/8"	Square	S03785B	.3785	.650	\$71.00
13/32"	Square	S04100B	.4100	.650	\$71.00
7/16"	Square	S04415B	.4415	.883	\$71.00
15/32"	Square	S04730B	.4730	.946	\$71.00
1/2"	Square	S05045B	.5045	1.010	\$71.00
17/32"	Square	S05360B	.5360	1.010	\$71.00
9/16"	Square	S05675B	.5675	1.010	\$96.00
19/32"	Square	S05990B	.5990	1.010	\$96.00
5/8"	Square	S06305B	.6305	1.010	\$96.00
21/32"	Square	S06620B	.6620	1.010	\$96.00
11/16"	Square	S06935B	.6935	1.010	\$96.00
23/32"	Square	S07250B	.7250	1.010	\$96.00
3/4"	Square	S07565B	.7565	1.010	\$96.00

All Standard Rotary Broaches are made from M-2 High Speed Steel.

Broaches can also be made from PM M-4, M-42 or PM T-15 High Speed Steel.

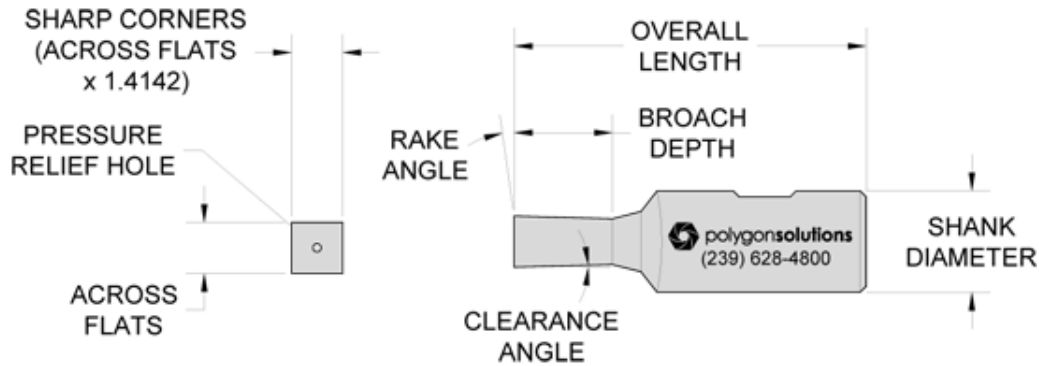
We offer TiN, TiAN and TiCN and Punch Coatings.



* All Broaches with Across Flats larger than .075" include a pressure relief vent hole *



Square Rotary Broaches



1/2" Shank Diameter

1.75" Overall Length - Metric					
Nominal Size		Part #	Across Flats	Broaching Depth	Price
2.0mm	Square	S00810B	.0810	.162	\$56.00
2.5mm	Square	S01010B	.1010	.202	\$56.00
3.0mm	Square	S01210B	.1210	.242	\$56.00
4.0mm	Square	S01610B	.1610	.322	\$56.00
5.0mm	Square	S02000B	.2000	.400	\$56.00
6.0mm	Square	S02400B	.2400	.480	\$56.00
7.0mm	Square	S02790B	.2790	.558	\$56.00
8.0mm	Square	S03185B	.3185	.637	\$56.00
9.0mm	Square	S03580B	.3580	.650	\$71.00
10 mm	Square	S03985B	.3985	.650	\$71.00
11 mm	Square	S04370B	.4370	.650	\$71.00
12 mm	Square	S04775B	.4775	.650	\$71.00
13 mm	Square	S05170B	.5170	1.010	\$71.00
14 mm	Square	S05565B	.5565	1.010	\$96.00
15 mm	Square	S05965B	.5965	1.010	\$96.00
16 mm	Square	S06355B	.6355	1.010	\$96.00
17 mm	Square	S06750B	.6750	1.010	\$96.00
18 mm	Square	S07150B	.7150	1.010	\$96.00
19 mm	Square	S07545B	.7545	1.010	\$96.00

All Standard Rotary Broaches are made from M-2 High Speed Steel.

Broaches can also be made from PM M-4, M-42 or PM T-15 High Speed Steel.

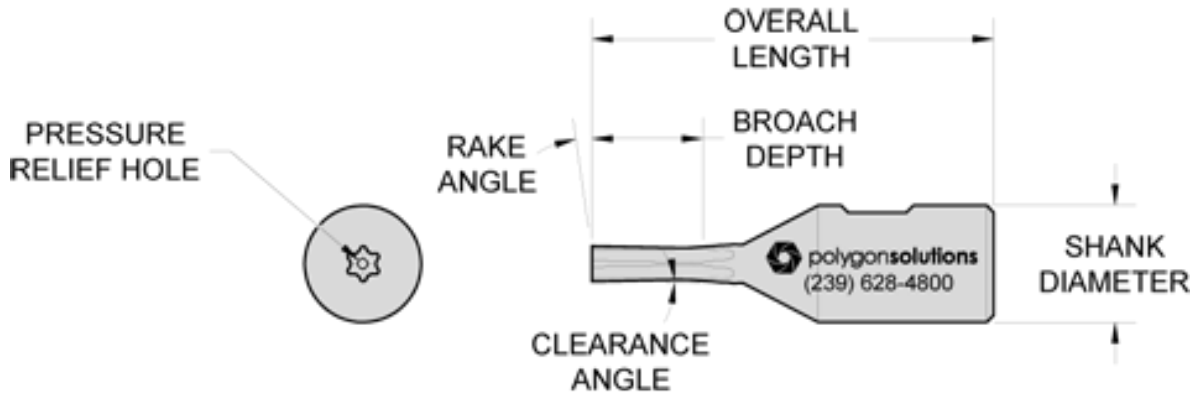
We offer TiN, TiAN and TiCN and Punch Coatings.



* All Broaches with Across Flats larger than .075" include a pressure relief vent hole *



Hexalobular Torx® Style Rotary Broaches



Meets ISO 10664:2005 Standard Dimensions

8mm Shank Diameter

1.25" Overall Length			
Torx Size	Part #	Broaching Depth	Price
T-6 Torx® (6-Lobe)	T-06-A	.162	\$199.00
T-8 Torx® (6-Lobe)	T-08-A	.202	\$199.00
T-10 Torx® (6-Lobe)	T-10-A	.242	\$149.00
T-15 Torx® (6-Lobe)	T-15-A	.322	\$149.00
T-20 Torx® (6-Lobe)	T-20-A	.400	\$149.00
T-25 Torx® (6-Lobe)	T-25-A	.480	\$149.00

28mm Overall Length			
Torx Size	Part #	Broaching Depth	Price
T-6 Torx® (6-Lobe)	T-06-C	.162	\$199.00
T-8 Torx® (6-Lobe)	T-08-C	.202	\$199.00
T-10 Torx® (6-Lobe)	T-10-C	.242	\$149.00
T-15 Torx® (6-Lobe)	T-15-C	.322	\$149.00
T-20 Torx® (6-Lobe)	T-20-C	.400	\$149.00
T-25 Torx® (6-Lobe)	T-25-C	.480	\$149.00

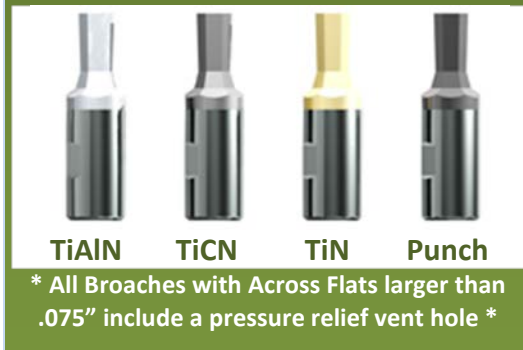
1/2" Shank Diameter

1.75" Overall Length			
Torx Size	Part #	Broaching Depth	Price
T-6 Torx® (6-Lobe)	T-06-B	.162	\$199.00
T-8 Torx® (6-Lobe)	T-08-B	.202	\$199.00
T-10 Torx® (6-Lobe)	T-10-B	.242	\$149.00
T-15 Torx® (6-Lobe)	T-15-B	.322	\$149.00
T-20 Torx® (6-Lobe)	T-20-B	.400	\$149.00
T-25 Torx® (6-Lobe)	T-25-B	.480	\$149.00
T-30 Torx® (6-Lobe)	T-30-B	.480	\$199.00
T-40 Torx® (6-Lobe)	T-40-B	.480	\$199.00
T-45 Torx® (6-Lobe)	T-45-B	.480	\$199.00
T-50 Torx® (6-Lobe)	T-50-B	.480	\$199.00

All Standard Rotary Broaches are made from M-2 High Speed Steel.

Broaches can also be made from PM M-4, M-42 or PM T-15 High Speed Steel.

We offer TiN, TiAN and TiCN and Punch Coatings.

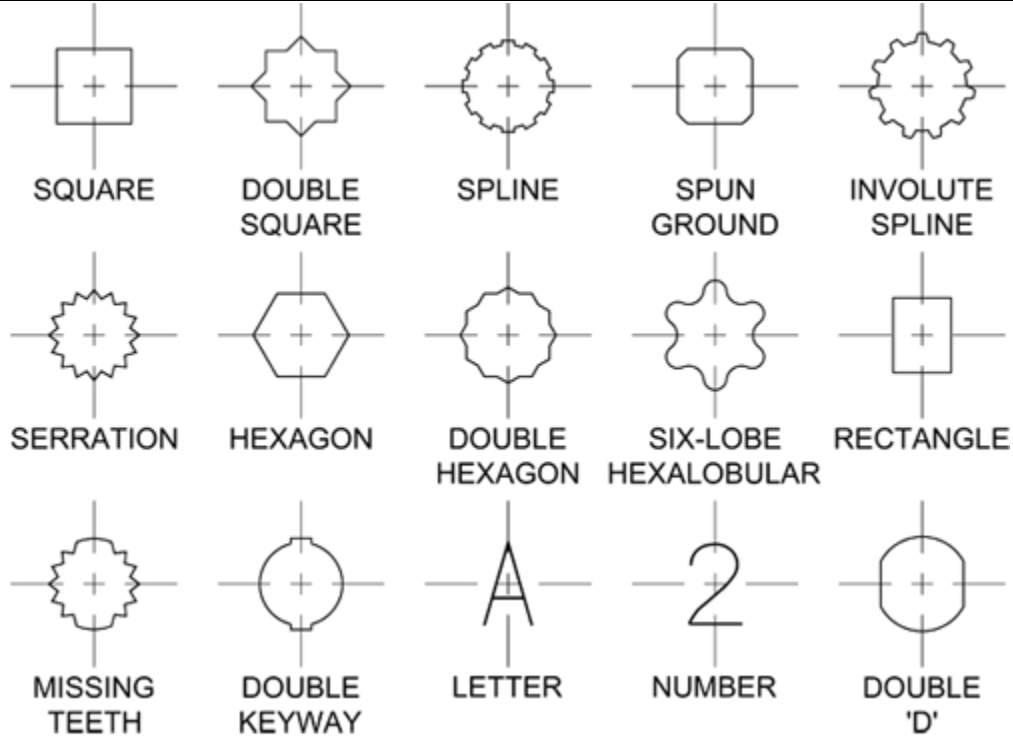


Meets ISO 10664:2005 Standard Dimensions



Forms That Can Be Rotary Broached

Polygon Solutions can manufacture Rotary Broach Tools in the following forms



For more information about our Special Form Rotary Broach Tools please visit:
<http://www.polygonsolutions.com/rotary-broaches/special-form-rotary-broaches>

